

LOCKR HASP

COMBINATION LOCK

SIMPLE AND EFFECTIVE

Designed for lockers up to 20mm thick as well as for metal lockers.

Its robustness, high resistance to humidity and an easy to mount system offer a simple and effective solution for heavy duty use in collective installations.

Equipped with the OJMAR patented anti-rotation system.



INTELLIGENT LOCKING SYSTEMS



LOCKR HASP

COMBINATION LOCK



NUT MOUNTING
FRONT



NUT MOUNTING
BACK



SCREW MOUNTING
FRONT



SCREW MOUNTING
BACK

HASP LOCK

TECHNICAL SPECIFICATIONS

CODE

ROTATION

CLOSING

FINISHES

MATERIALS

MECHANICAL REQUIREMENTS

ACCESSORIES (OPTIONAL)

PADLOCKS *

NUT MOUNTING

RIGHT : 039.MMDCR (Without cam)*

LEFT : 039.MMICR (Without cam)*

180°

With padlock of up to 8mm diameter.

Chrome.

Lock in zamak and Cam in steel.

60,000 cycles according to the LGA guidelines.

48 hours in salt spray test.

Resistance: 1000N

Spacer Code 039.YM0304

Padlocks available on request.

SCREW MOUNTING

RIGHT : 039.0D0045CR

LEFT : 039.0I0045CR

180°

With padlock of up to 8mm diameter.

Chrome.

Lock in zamak and Cam in steel.

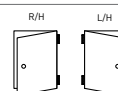
60,000 cycles according to the LGA guidelines.

48 hours in salt spray test.

Resistance: 1000N

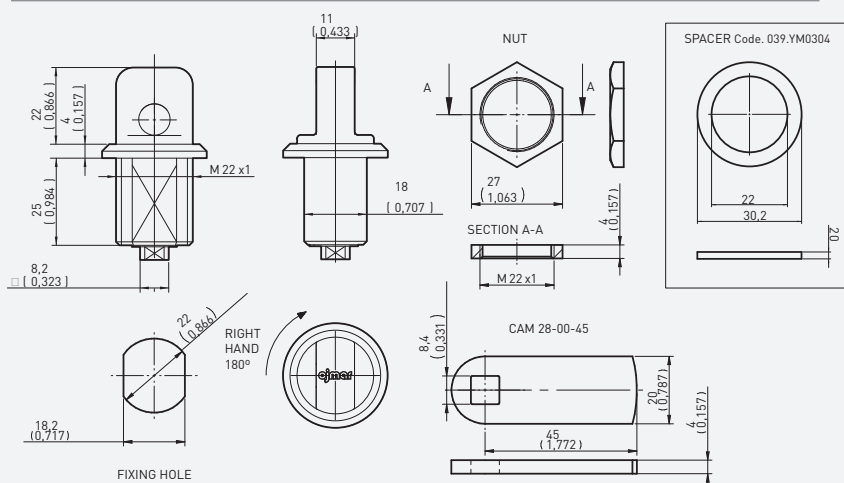
Backplate for OTS and coin lock footprint. Code 039.002PN

Padlocks available on request.



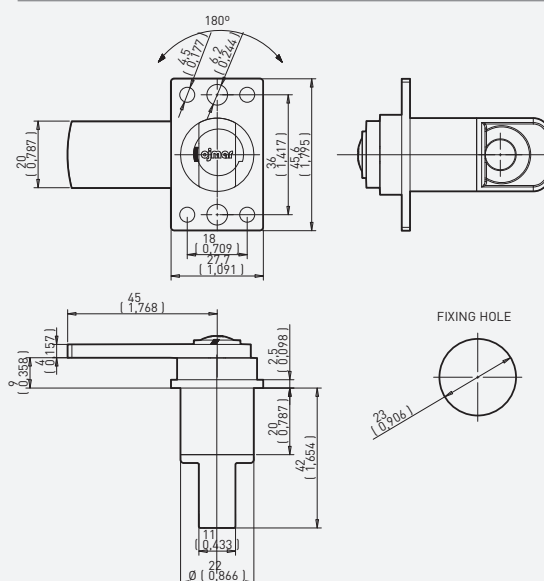
TECHNICAL DRAWINGS

NUT MOUNTING DRAWN POSITION: RIGHT HAND.



*Cams are sold separately.
0028.045NL Cam H-00 R-45 (Standard)
NOTE: Other cams available on request.

SCREW MOUNTING DRAWN POSITION: RIGHT HAND.



INTELLIGENT LOCKING SYSTEMS

Polígono Industrial de Lerun, s/n
20870 Elgoibar · Spain
T. +34 943 748484
www.ojmar.com

