

OTS Pulse v1.0

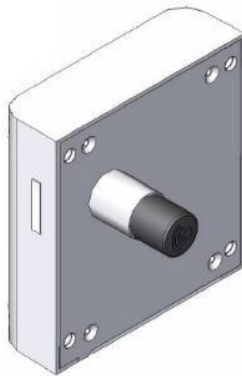
Main features

Description

OTS® PULSE, the **smart lock solution**, that will provide you with:

- **Real-time analytics**
- **Space optimisation** via heat mapping
- Unrivalled flexibility, multiple user modes
- Cloud-based **remote facility management**
- **Multi-technology** platforms: RFID and BLE for mobile use
- Lockers on **arrival booking functionality** via Ojmar app
- **API** ready

All with **no wires, plug and play**, and an **extraordinary battery life**.



Multitechnology

- ✓ ISO/IEC 14443
- ✓ Mifare Classic 1K/4K 4B and 7B UID
- ✓ Mifare Ultralight and Ultralight C
- ✓ Mifare DESFire EV1 & EV2
- ✓ ISO 15693
- ✓ HID® iClass
- ✓ HID® Seos
- ✓ Bluetooth®
- ✓ NFC

Configuration

- ✓ Fully configurable by the end user
- ✓ Automatic connection of the locks to the Ojmar's cloud software.
- ✓ Real-time configuration and assignment of access permissions via Ojmar's cloud software.
- ✓ Integration with third parties software via SDK
- ✓ Automatic openings

Intelligence Maintenance & Backups

- ✓ Keeps the configuration after battery change.
- ✓ Battery & lock status.
- ✓ Events log.
- ✓ Keeps the configuration after battery change.
- ✓ Low battery indicator.
- ✓ FW update via network.
- ✓ Emergency power supply from the knob.
- ✓ Configurable usage reports.
- ✓ Offline mode in case of gateway failure: Data storage and automatic sending after network recovery.

Cibersecurity

- ✓ Encrypted communications.
- ✓ The web connection is encrypted via Https with an SSL certificate.
- ✓ Each incoming connection uses its own dynamically encrypted protocol.

Credentials

- ✓ RFID Bracelets
- ✓ RFID Cards
- ✓ Smartphone Credentials: App

Enhanced automatic data transfer

- ✓ Battery status
- ✓ Lock status
- ✓ Traceability & lock use: time, user

OTS Pulse v1.0

Technical Specifications

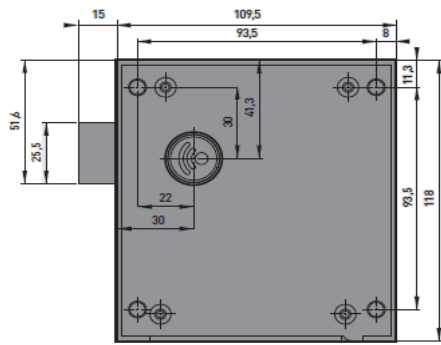
TECHNOLOGIES	Authentication mode	RFID, Bluetooth
	RFID standards	MIFARE® (DESFire EV1 & EV2, Ultralight, Ultralight C, Classic1K/4K 4B and 7B UID – ISO/IEC 14443), ISO 15693: HID® iClass/HID® Seos
	Reading	UID / Sector
	Wearables	RFID cards, wristbands, FOBs, Technogym key, Stickers & Transponders
	Bluetooth OS	Android & iOS
USAGE MODES	Free mode	Up to 3 locks simultaneously with just one wearable
	Dedicated mode	Up to 6 locks simultaneously with just one wearable
	Multifunction mode	Up to 3 free and 3 dedicated locks simultaneously with just one wearable
	Rental mode	Configurable via App
USER INTERFACES	Notifications	LED (Red, amber & green)
	Lock closed notifications	Nozzle in closed position Red LED blinking every 2 seconds (configurable) In Software and infoterminal in RT
	Alarms	Low battery warning High occupancy alert
COMMUNICATION INTERFACES	Communication standard	Wireless 2.4GHz proprietary stack
	Encryption mode	AES 256
	Reading field range (wireless)	Up to 50 m (depending on the layout)
POWER SUPPLY	Batteries (Type & quantity)	4 alkaline batteries VARTA Type AA
	Battery life	Up to 10 years at room temperature (Depending on usage and configuration)
MECHANICAL CHARACTERISTICS	Dimensions	119,5 mm x 35 mm x 118 mm
	Weight	375 gr
	Knob resistance	1000 N
	Housing	Black nozzle Black and green nozzle White nozzle
ENVIROMENTAL CONDITIONS	Temperature	From -10°C to 42°C (interiors)
	Humidity	< 97% (Condensation free)
	Protection type	IK09 / IP55

Optional Accessories

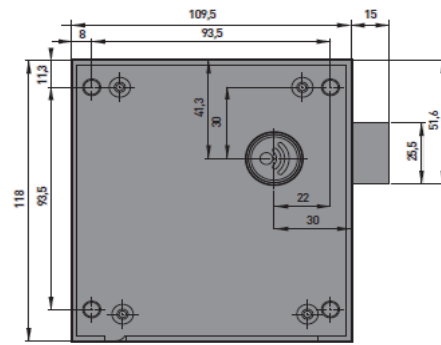
✓ Infoterminal

OTS Pulse v1.0

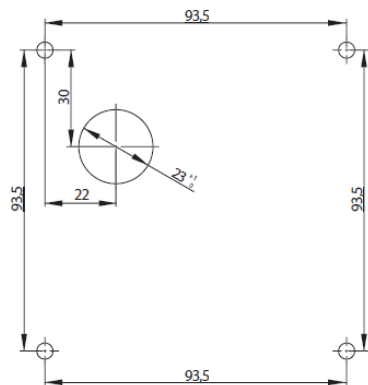
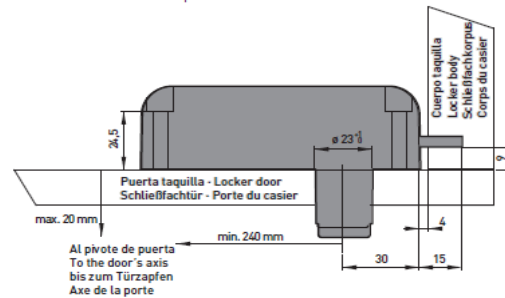
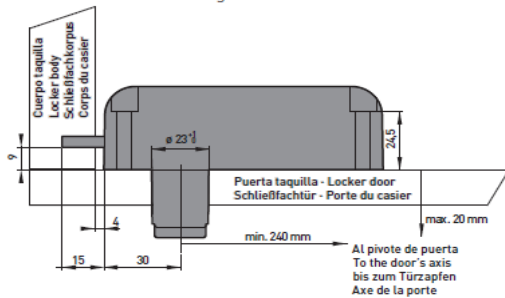
Assembly



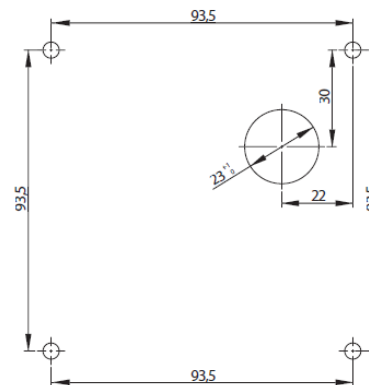
Derecha · Right · Rechts · Droite



Izquierda · Left · Links · Gauche



Derecha · Right · Rechts · Droite



Izquierda · Left · Links · Gauche

Other Data

Door Material

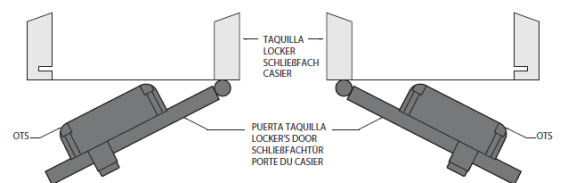
- Phenolic/HPL
- Glass
- Metal (Booster may be required)
- MDF
- Chipboard

Door Thickness

<22mm

Availability

Right. / Left. Handed



Derecha · Right · Rechts · Droite

Izquierda · Left · Links · Gauche