

OTS[®]PULSE
NETWORKED
WIRELESS
FLEXIBLE



ojmar[®]

OTS®PULSE A SUPERIOR EXPERIENCE

WELCOME TO THE NEXT EVOLUTION

Having launched the world's first connected wireless system, we now introduce OTS®PULSE, the latest evolution in the OTS® Lock family.

NETWORKED LOCKING SOLUTION

MANAGE, OPERATE AND MONITOR YOUR LOCKERS IN REAL-TIME

OTS®PULSE is the ultimate wireless networked locking solution that operates in highly secure cloud software.

This smart locker management system is a fully plug-and-play, online, self-managed system. Furthermore, OTS®PULSE can be installed quickly and easily with minimal disruption.

The perfect locker system for any club looking to move forward in space optimization and above all, customer experience.



For over 25 years, Ojmar has been supporting the health club industry offering its wealth of experience, technical expertise and customer - centric approach. This has resulted in the company developing the world's most complete locking solution portfolio - from worldwide patented anti-tilt to RFID and Keypad solutions.

SMART LOCKER MANAGEMENT



REAL-TIME DATA AND ANALYTICS.

- Monitor locker usage and occupancy via Ojmar cloud based software.
- Configure reports and audit trails to match management requirements.
- View alarms and manage settings.
- Manage users.
- Leverage the data to optimise your space.

MULTI-DEVICE MONITORING.

Complete dynamic remote access and commissioning is available from the centralised cloud-based management system. Locker systems can be viewed in real-time from any authorised PC, tablet or smartphone, giving administrators the freedom from being tied down to one location.

MINIMAL AND SIMPLIFIED MAINTENANCE.

The OTS@PULSE guarantees minimal maintenance thanks to an industry-leading energy saving platform. For added peace of mind, battery levels and lock status are continually monitored.

WIRELESS



PLUG AND PLAY

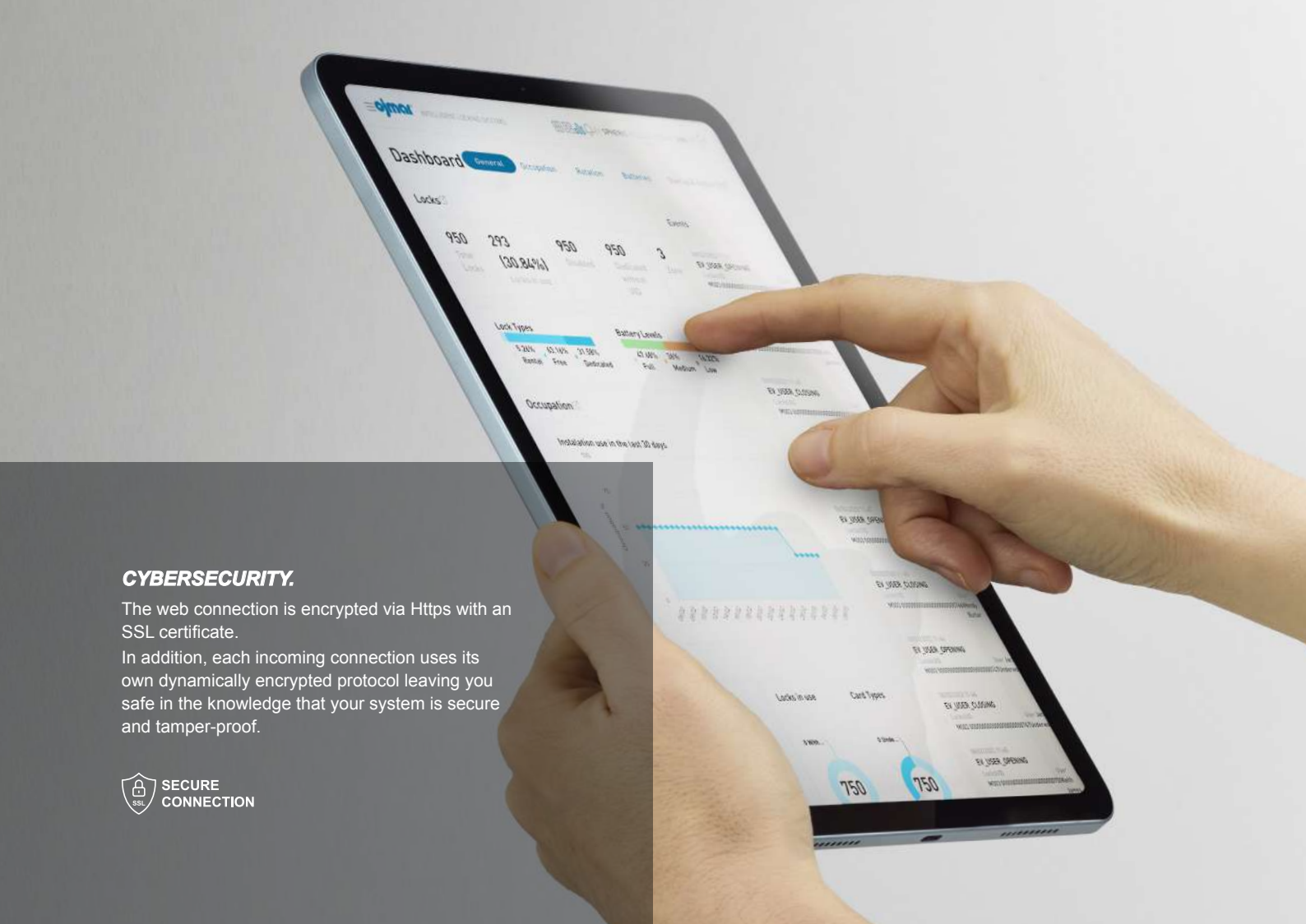
Quick and easy installation without complex, costly hardwiring. OTS@PULSE doesn't require any expensive servers or infrastructure, just a simple standard internet connection and it's ready to go.

COST EFFECTIVE.

Easy to reconfigure and even modify your locker layout quickly. Get automatic and functional updates. All without additional expensive wiring.

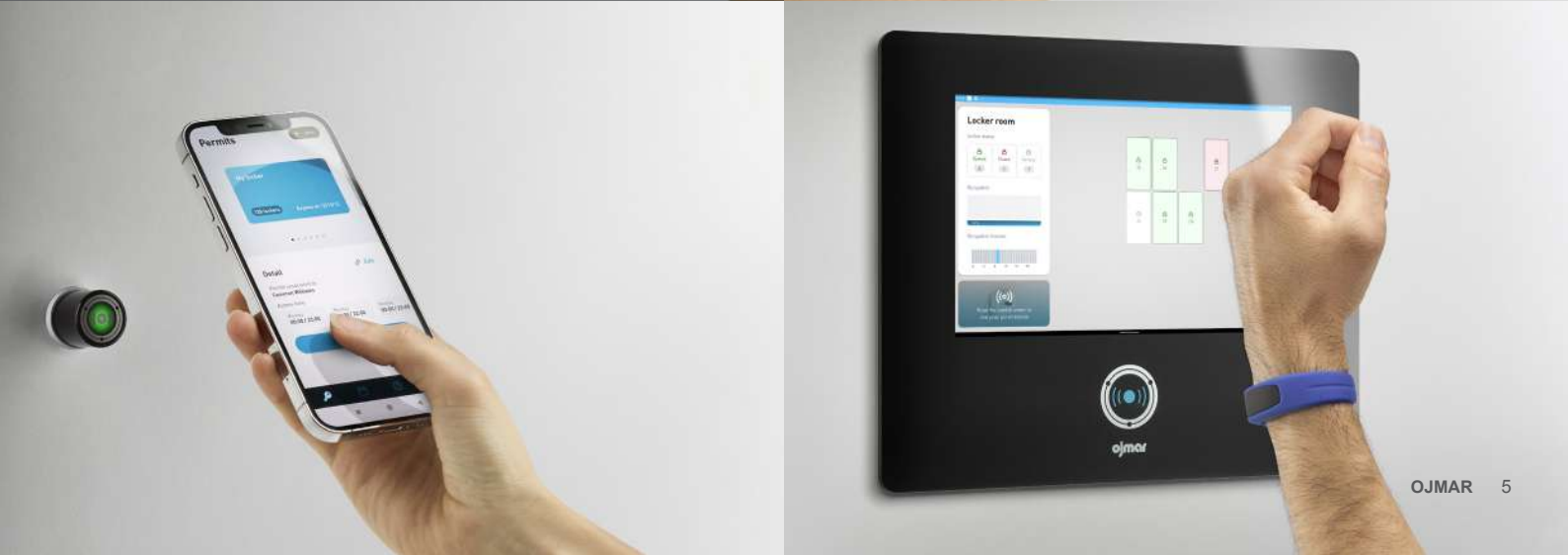
NO DOWNTIME.

Online or offline as needed. In the event of a network outage or power failure, the lock switches to offline mode whilst continuing to collect data which will be transmitted back to the system once the network is restored. Users are not affected and the system does not lose any data or information.



CYBERSECURITY.

The web connection is encrypted via Https with an SSL certificate.
 In addition, each incoming connection uses its own dynamically encrypted protocol leaving you safe in the knowledge that your system is secure and tamper-proof.



FLEXIBLE

USE YOUR EXISTING ACCESS BRACELETS OR SMARTPHONE ALIKE.

End users also gain complete control over their app and can book lockers in advance.

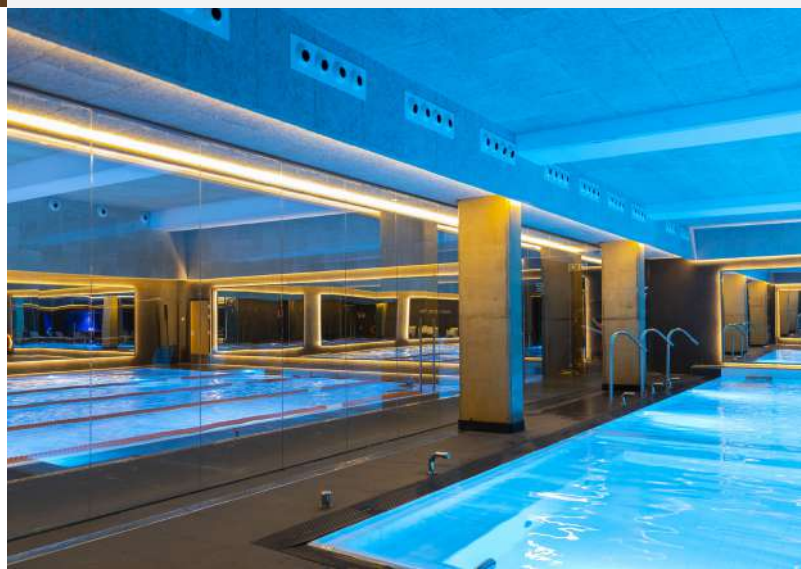


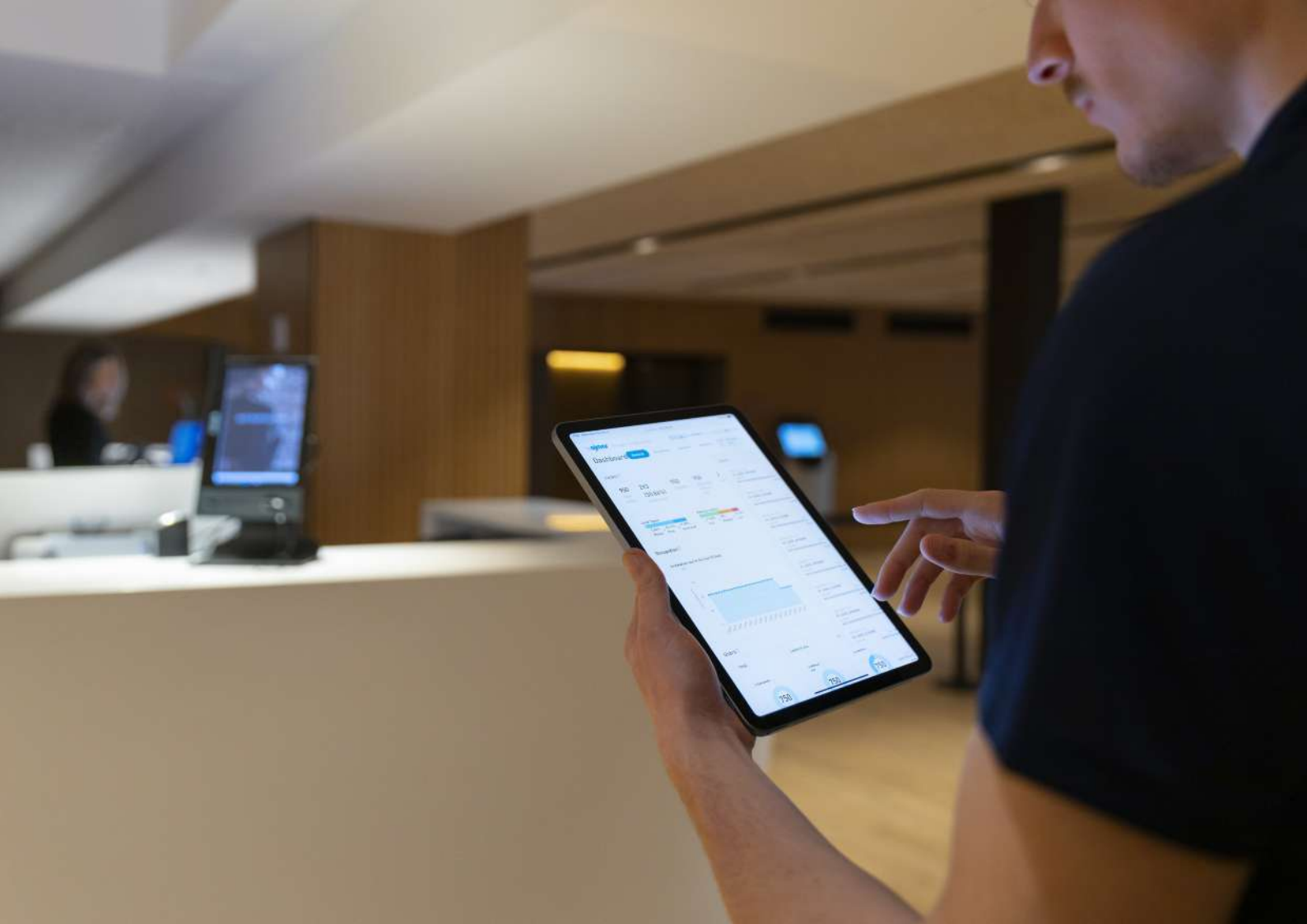
OPTIMISE YOUR SPACE.

OTS@PULSE lets you easily rearrange your layout and adjust lockers configuration with no hassle or cost.

USER EXPERIENCE.

OTS@PULSE is designed to operate free from physical keys or codes which can be lost or forgotten. The App makes it easy to reserve, open and lock your locker from your own phone or smart device.





**DO YOU WANT TO UPGRADE
YOUR CURRENT LOCKING
SYSTEM?**

**YOU CAN EASILY DO SO
WITH OTS@PULSE!**

INTEGRATION.

OTS@PULSE is designed to integrate with your systems within the health club giving users an one-fit solution.

Simple integration into existing management software or App via ready-to-go SDK.

FUTURE PROOF.

OTS@PULSE is designed to be flexible and adaptable, meeting the needs of your business as it evolves or working practices change. OTS@PULSE incorporates different technologies as RFID, BLE and NFC enabling technological cohabitation and migration.



GREEN CREDENTIALS

The OTS®PULSE is manufactured in the EU at Ojmar HQ, using 100% recycled energy. Materials and critical components are sourced locally reducing its carbon footprint. Its durable, low-maintenance design, coupled with market-leading battery life of up to 10 years, results in low environmental impact and reduced waste.

With over 100 years of dedication to our craft in an ever-evolving global system, Ojmar remains committed to active environmental protection and a policy of long-term sustainability in manufacturing.



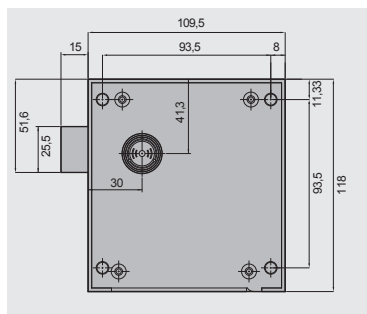
*ISO 14001 GA-2006/0345
First company to have the
environmental certification in
the sector.*



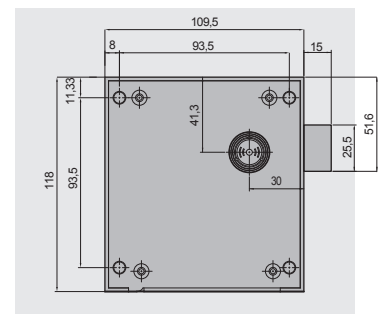
CO2-free manufacturing



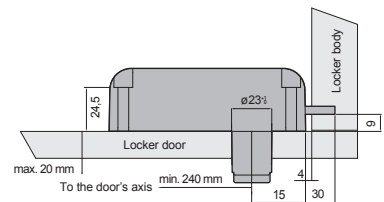
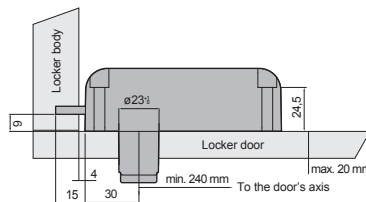
DATASHEET



RIGHT HAND

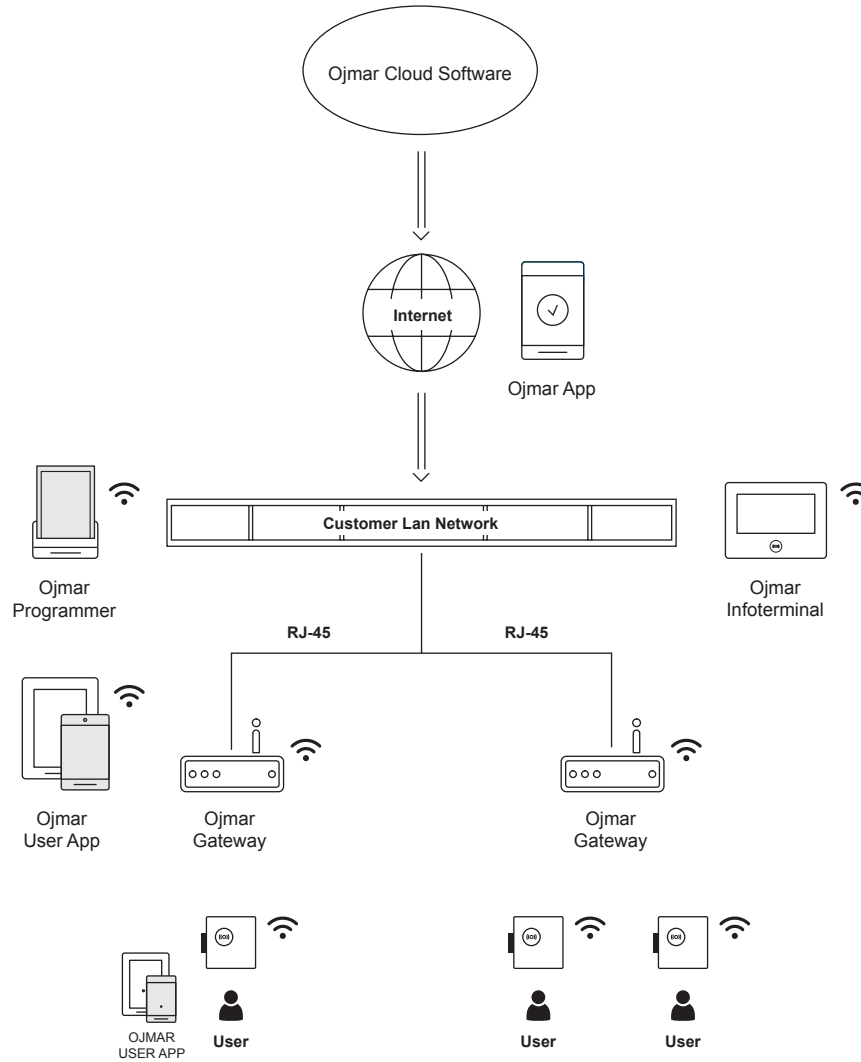


LEFT HAND

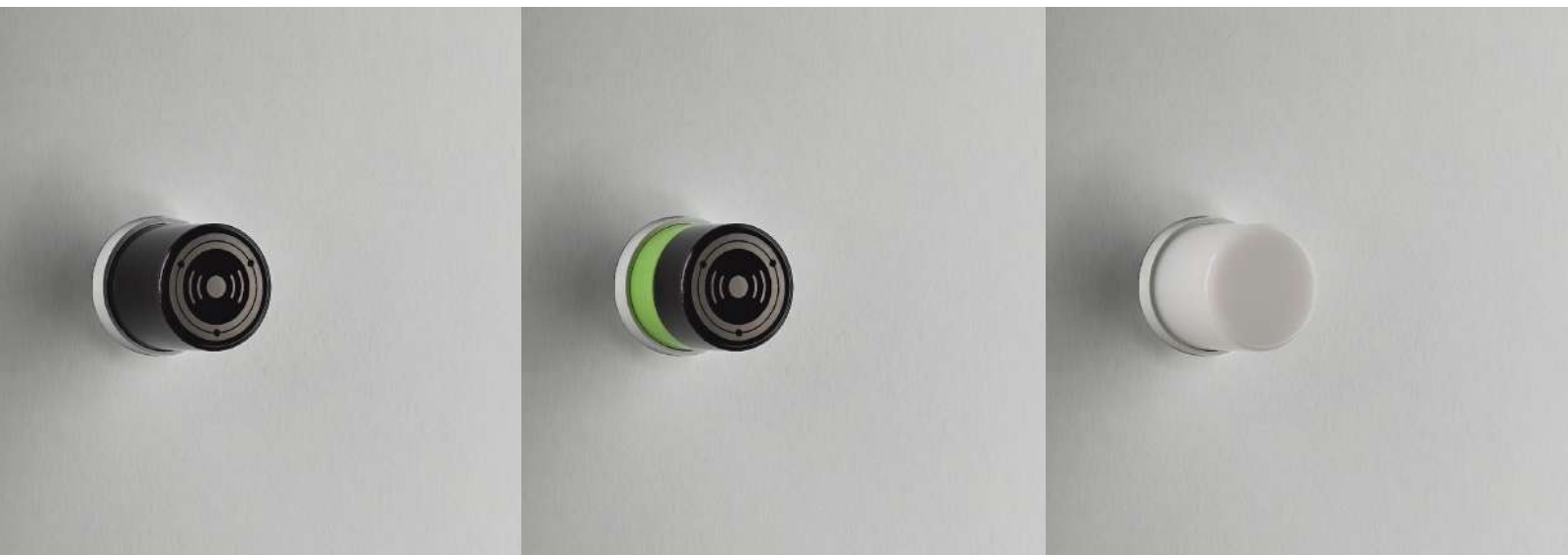


TECHNOLOGIES	Protocol	RFID, Bluetooth
	RFID Standards	MIFARE® (DESFire EV1 & EV2, Ultralight, Ultralight C, Classic1K/4K 4B and 7B UID – ISO/IEC 14443), ISO 15693 HID® Seos and HID® iClass included
	Reading	UID / Sector
	Wearables	RFID cards, wristbands, FOBs, Technogym key & Stickers
	Bluetooth OS	Android & iOS
USAGE MODES	Free mode	Up to 3 locks simultaneously with just one wearable
	Dedicated mode	Up to 6 locks simultaneously with just one wearable
	Multifunction mode	Up to 3 free and 3 dedicated locks simultaneously with just one wearable
	Rental mode	Configurable via App in periods of 15 minutes
USER INTERFACES	Notifications	LED (Red, amber & green)
	Lock closed notifications	Nozzle in closed position Red LED blinking every 2 seconds (configurable) In Software and infoterminal in RT
	Alarms	Low battery warning High occupancy alert
COMMUNICATION INTERFACES	Communication standard	Wireless 2.4GHz proprietary stack
	Encryption mode	AES 256
	Reading field range (wireless)	Up to 50 m (depending on the layout)
POWER SUPPLY	Batteries (Type & quantity)	4 alkaline batteries VARTA Type AA
	Battery life	Up to 10 years at room temperature (Depending on usage and configuration)
MECHANICAL CHARACTERISTICS	Dimensions	119,5 mm x 35 mm x 118 mm
	Weight	375 gr
	Nozzle resistance	1000 N
	Housing	Grey (RAL 7035)
ENVIRONMENTAL CONDITIONS	Temperature	From -10°C to 42°C (interiors)
	Humidity	< 97% (Condensation free)
	Protection type	IK09 / IP55
GATEWAY INFO	Protocol	2.4 GHz proprietary (IEEE 802.15.4)
	N° of maximum connections	Up to 500 (depending on the layout of the installation)
	Reading distance	Up to 50m (depending on the layout of the installation)
	Communication standard	LAN Ethernet RJ-45, USB
	Ethernet	DHCP
	Power Supply	8-30VDC Output, 12W min. Supports IEEE 802.11 PoE

SYSTEM ARCHITECTURE



NOZZLE FINISHES



**FEEL
THE
PULSE**

ojmar[®]

INTELLIGENT LOCKING SYSTEMS

Polígono Industrial de Lerun, s/n
20870 Elgoibar - Spain
T. +34 943 748484
www.ojmar.com