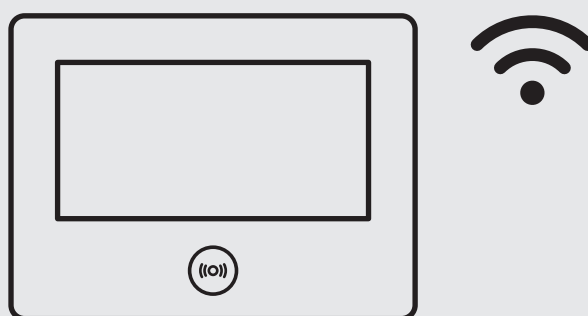


INFOTERMINAL

ASSEMBLY INSTRUCTIONS

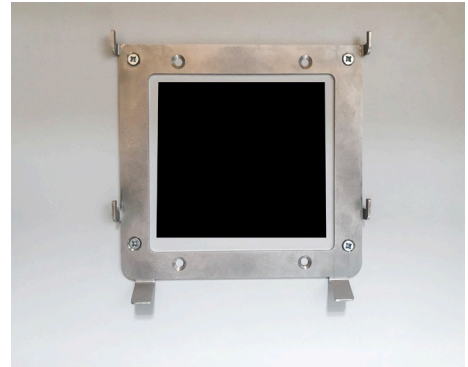
V.01



1. ASSEMBLY INSTRUCTIONS

1. INFOTERMINAL INSTALLATION

To install the Infoterminal, 4 holes must be made in the wall to fasten the support and a hole to pass through and house the alignment and network cable. Install the bracket after drilling the holes in the wall. (See figure 2)



2. INFOTERMINAL CONNECTION

After putting up the bracket, pass the RJ-45 power and Ethernet cable through the central hole and connect it to the Infoterminal at the back.

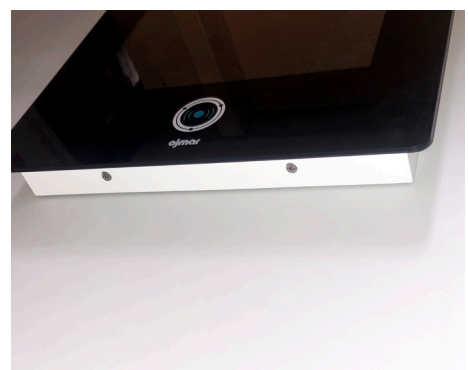
3. INFOTERMINAL PLACEMENT

After connecting the power and network cables to the Infoterminal, put it onto the bracket. To do this, slide it from top to bottom, inserting the 4 bracket plates into the Infoterminal's slots and putting the cables inside the wall cavity.



4. ADJUSTMENT OF INFOTERMINAL

Finally, adjust the Infoterminal by tightening the two screws on its bottom.



2. TECHNICAL DRAWINGS

Figure 1

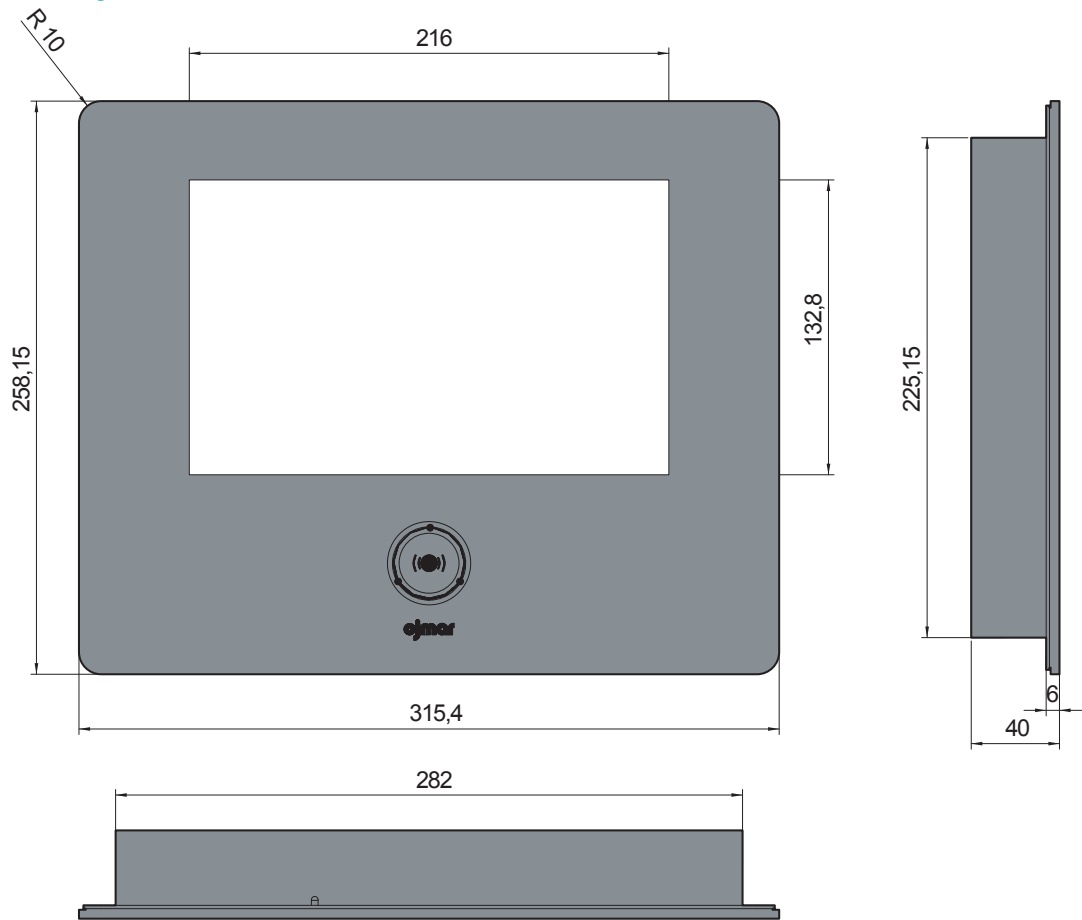
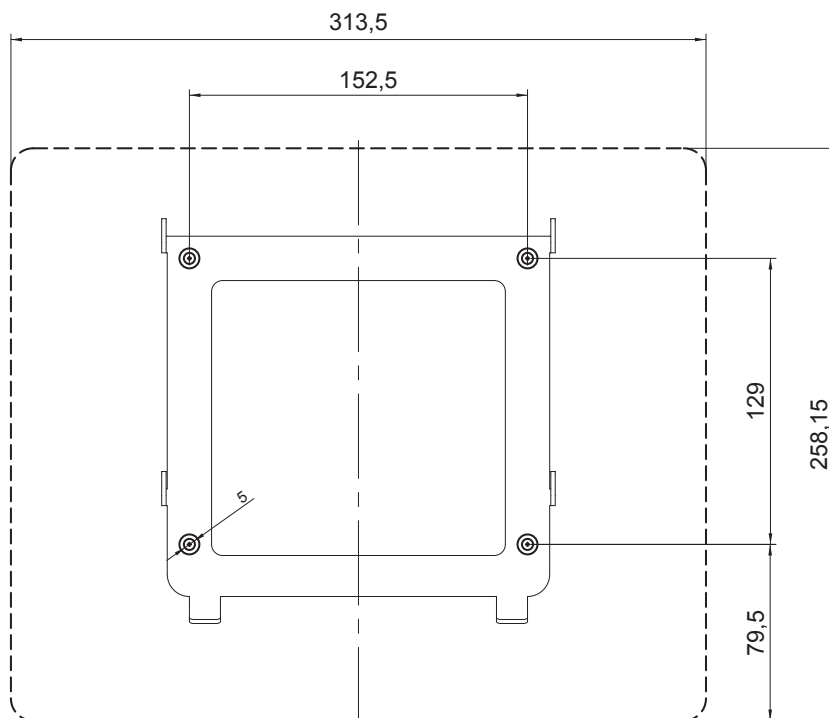


Figure 2





INTELLIGENT LOCKING SYSTEMS

CONTACT
sales@ojmar.com
+34.943.748.484

OJMAR HQ
Polígono Industrial de Lerun
20870 Elgoibar - SPAIN

OJMAR USA
17155 Von Karman Ave, S111
Irvine CA. 92614 - USA

www.ojmar.com